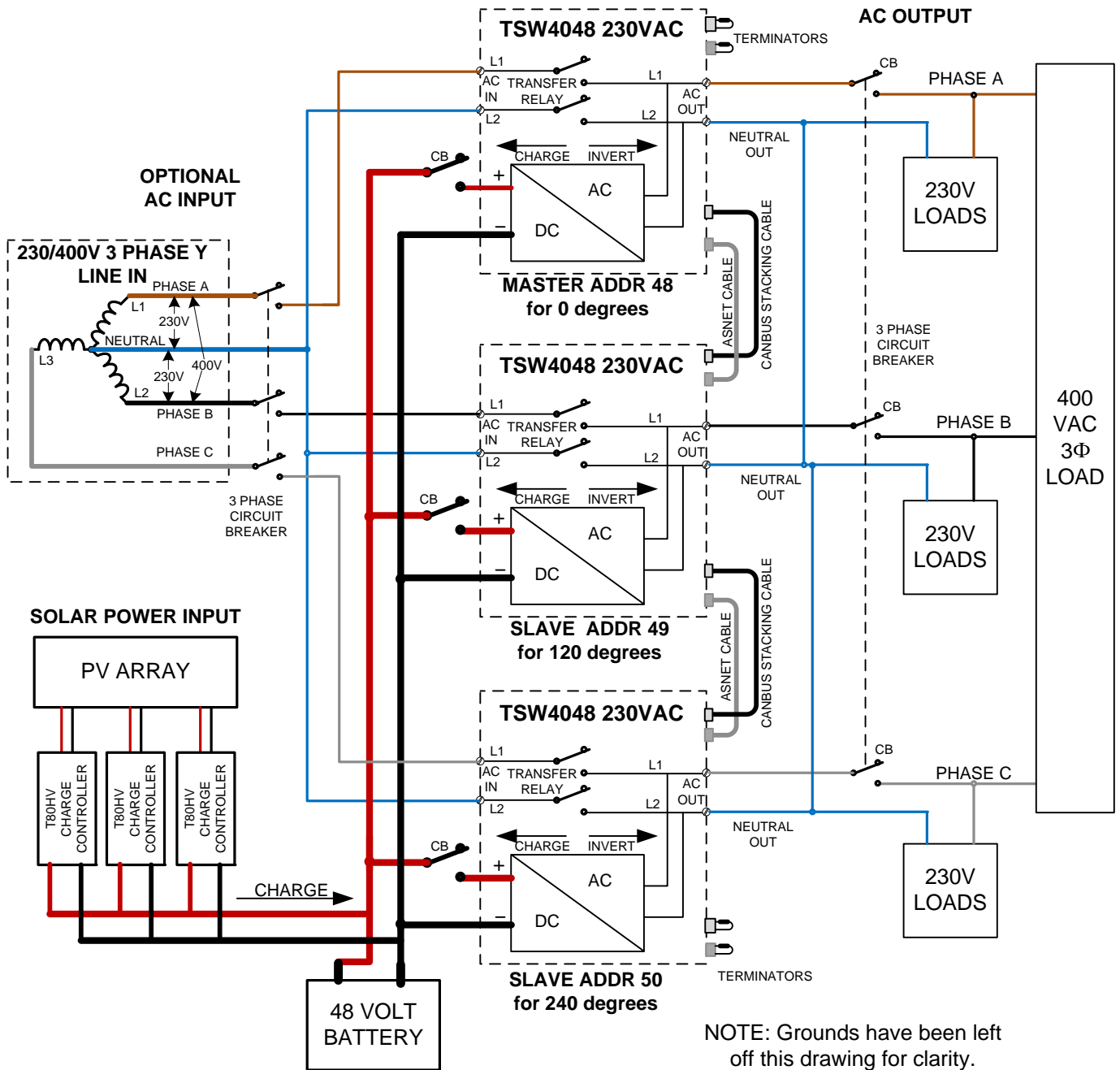



# APOLLO SOLAR TSW4048 3 PHASE 230/400VAC BLOCK DIAGRAM



**NOTE: Each TSW4048 can be set for 230VAC for a 230/400VAC 3 phase system or set for 240Volts for a 240/415VAC 3 phase system.**

	<b>APOLLO SOLAR</b> 23 F. J. Clarke Circle Bethel, CT 06801 (203) 790-6400 www.ApolloSolar.com
---	--

**230/400VAC WIRING DIAGRAM**

**TSW 3 PHASE BLOCK DIAGRAM**

17-AUG-2012

J. PFEIFER

REV 2