

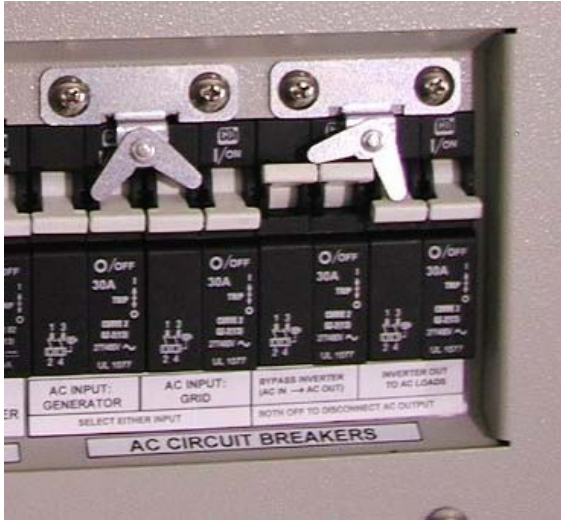


# AC CIRCUIT BREAKER PACs

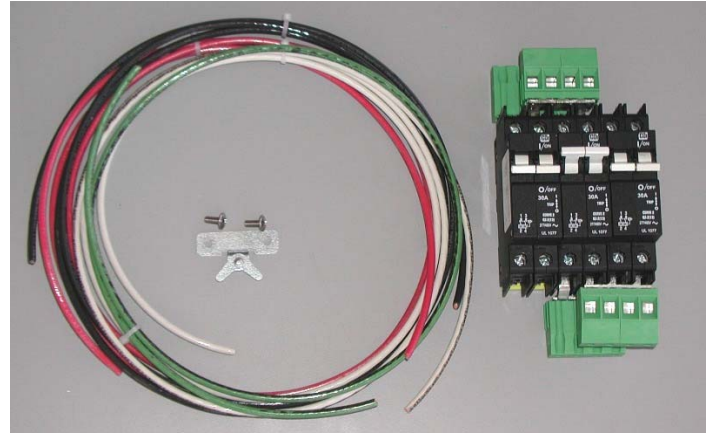
Designed for the Inverter Switchgear Module and the Solar Power Center enclosures

The Apollo Solar 120/240-AC Breaker Pac includes all the parts shown in the photo below. It is designed to make installation and wiring fast and easy.

## 120/240-AC Breaker Pac



Front Panel view of the AC Breaker Pac

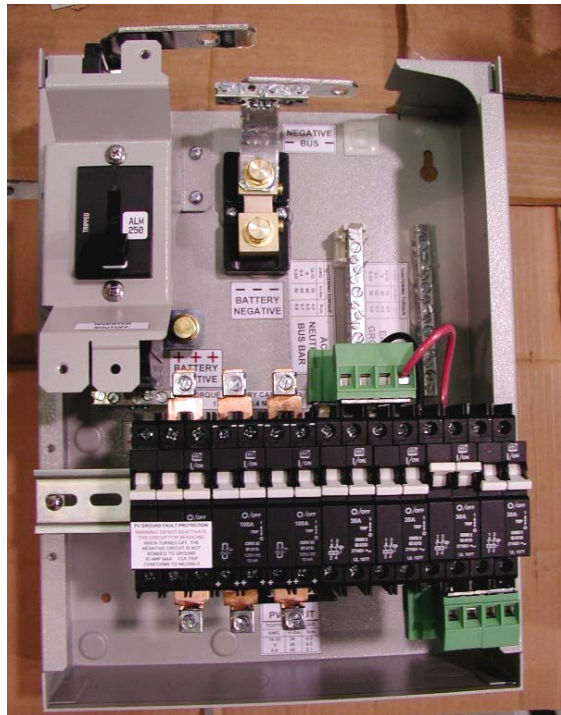


All components are UL listed

The circuit breakers themselves are UL recognized and the multiple screw terminal bus bars from Apollo are tested and UL1741 rated for this application.

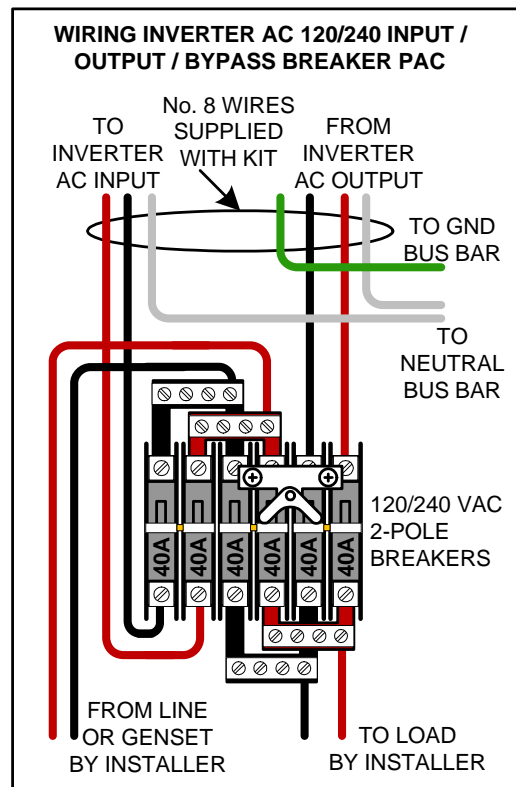
Wiring supplied for Apollo Solar TSW Inverters

The wiring in the diagram below is supplied.



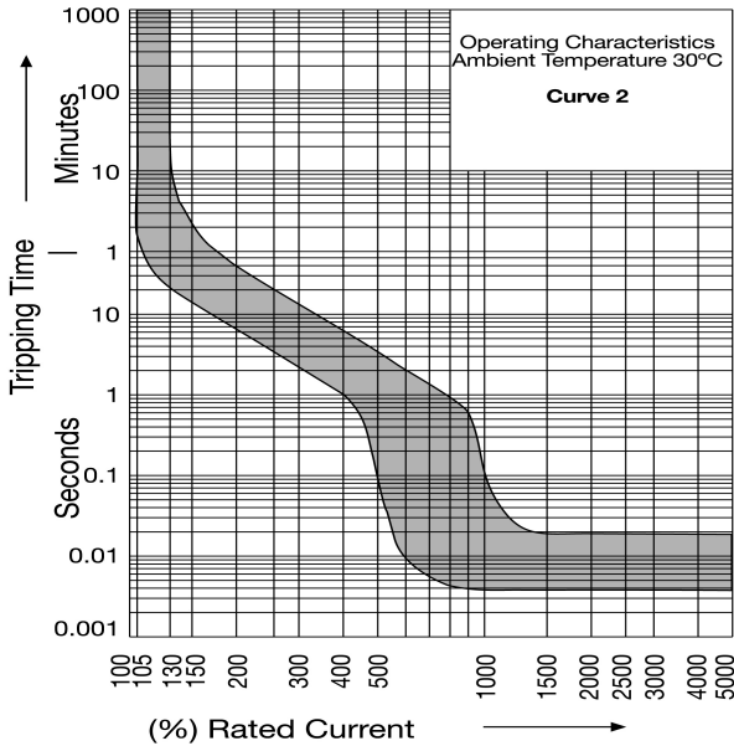
Inverter Switchgear Module with cover removed

- AC Input, Output and Bypass breakers for Inverter
- Other versions for 120V and 230VAC
- Optional extra AC Generator / Grid input selector



# AC CIRCUIT BREAKER -- SPECIFICATIONS

The individual AC circuit breakers type QZ from CBI are specified as follows:



- UL 1077 Recognized
- VDE, CSA, CE Approved
- Din Rail Mounting
- Compact 13mm width
- One, two and three Pole units
- Current rating up to 60A
- 100% Rating Capability
- Hydraulic-magnetic Technology



|  |                                  |
|--|----------------------------------|
| Maximum AC Voltage .....               | 277 /480 VAC                     |
| Maximum Interrupting Capacity: .....   | 5kA RMS at 277 / 480 VAC         |
| Minimum Current Rating: .....          | 1 Amp                            |
| Maximum Current Rating: .....          | 50 Amps                          |
| Agency recognition of Approvals: ..... | IEC 60947-2, UL1077, SANS VC8036 |



## APOLLO SOLAR

23 Francis J. Clarke Circle  
Bethel, CT 06801  
(203) 790-6400  
[www.ApolloSolar.com](http://www.ApolloSolar.com)

Specifications are subject to change without notice. April 2009